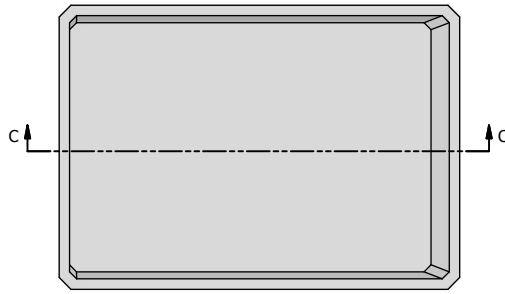
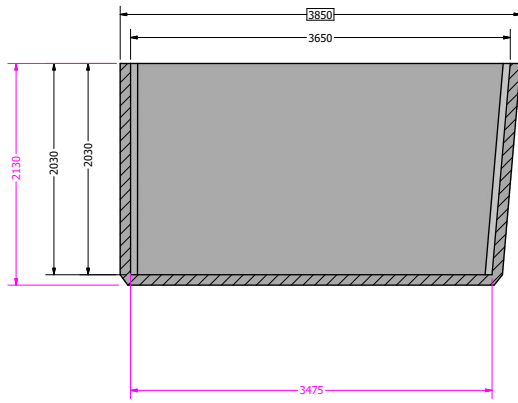
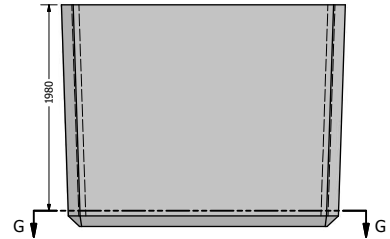
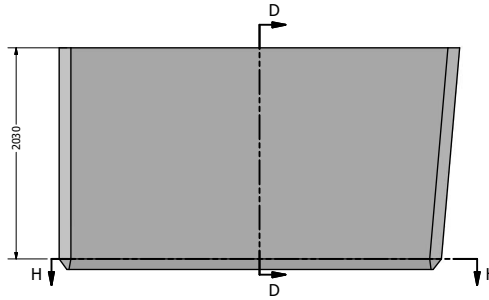
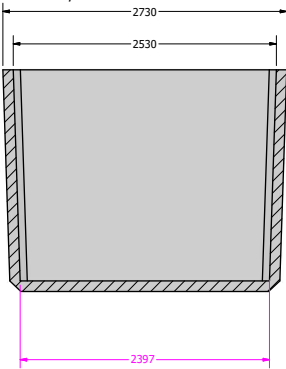


8 7 6 5 4 3 2 1

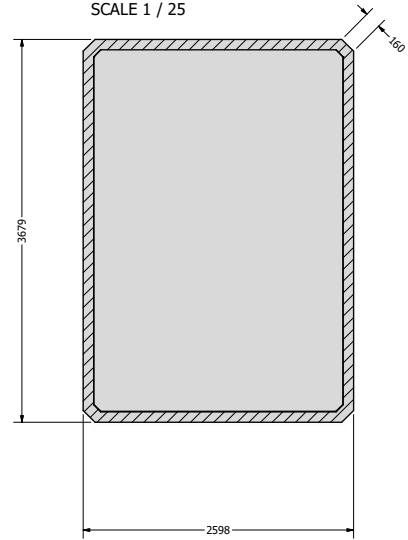
SECTION C-C
SCALE 1 / 25



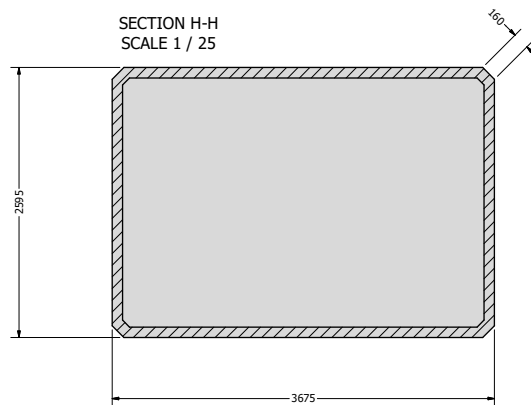
SECTION D-D
SCALE 1 / 25



SECTION G-G
SCALE 1 / 25



SECTION H-H
SCALE 1 / 25



DRAWN	ermie	04.07.2024		
CHECKED			TITLE	
QA				
MFG				
APPROVED				
			SIZE	DWG NO
			D	2024-zbiornik_nowy_16m3
			SCALE	1 / 25
				REV
				1
				SHEET 1 OF 1

8 7 6 5 4 3 2 1